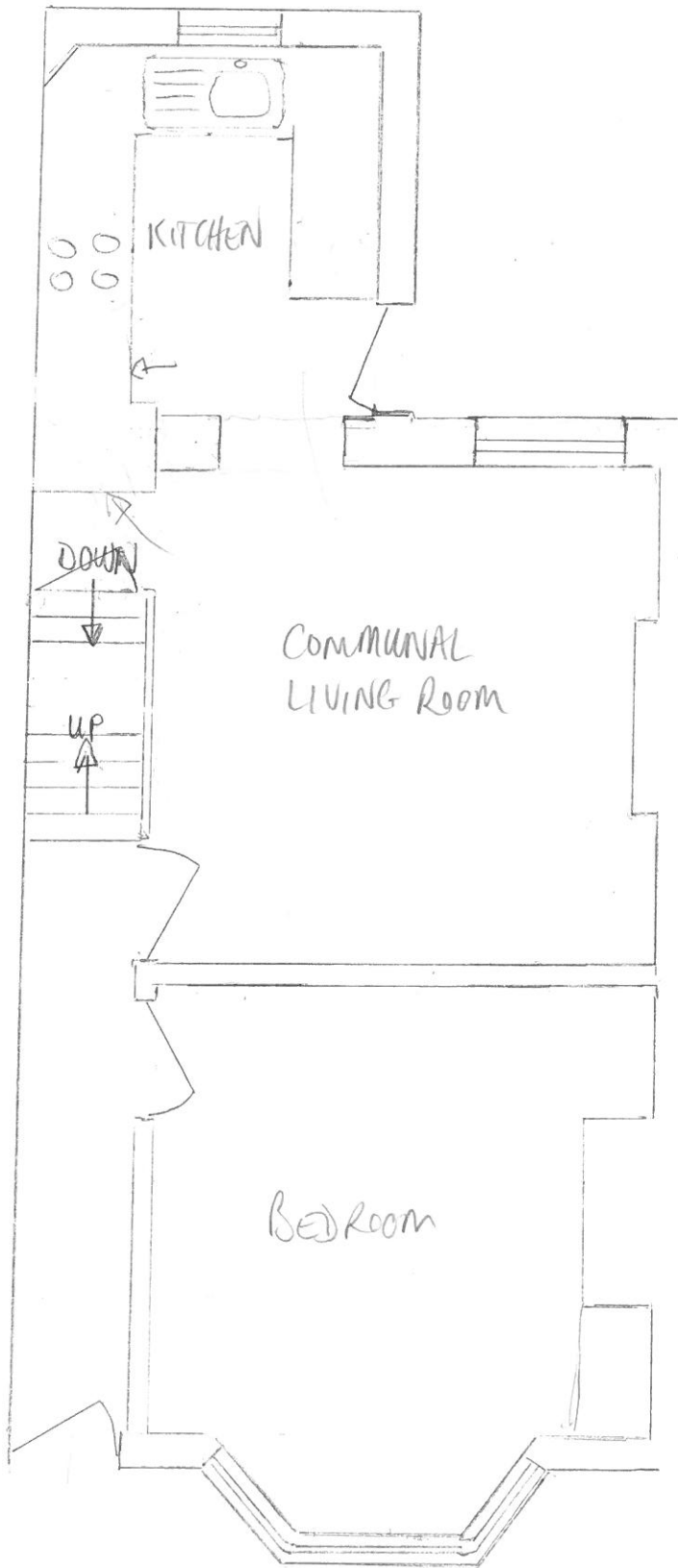


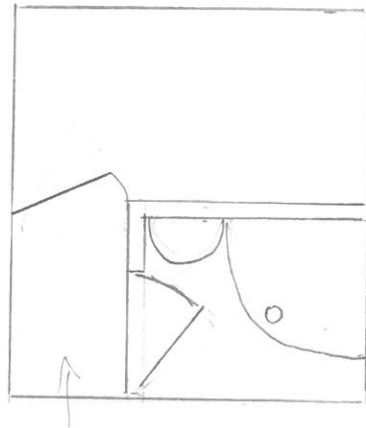
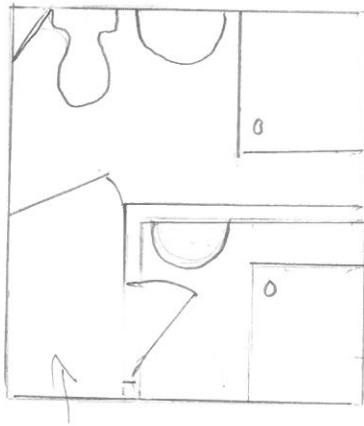
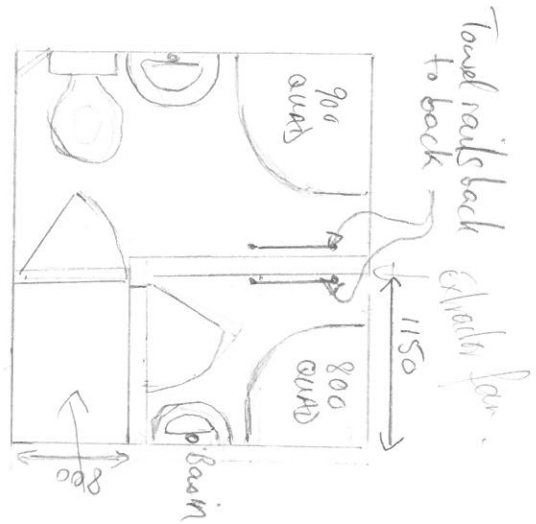
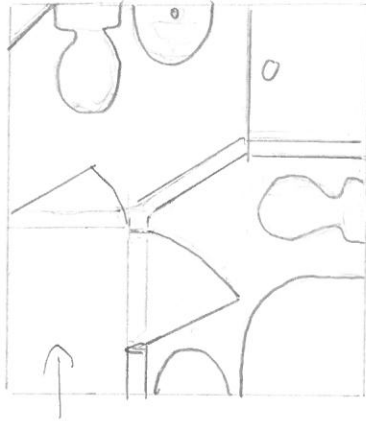
GROUND FLOOR EXISTING.  
SCALE: 1:50



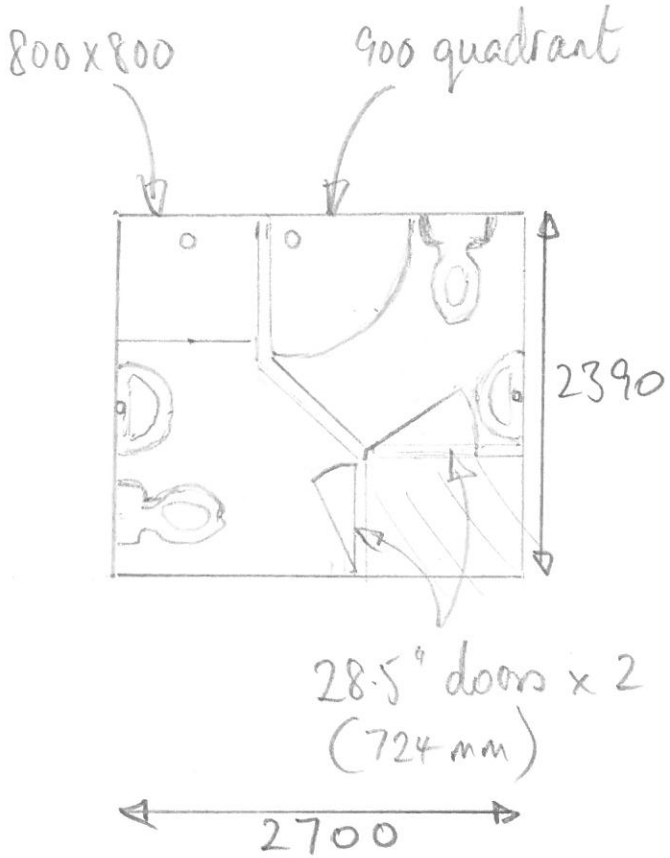
GROUND FLOOR PROPOSED  
SCALE: 1:50

Scale 1:50

Bathroom sketches - different layouts being assessed.



Bathroom  
Alternative layout - playing with  
ideas.



# Proposed Kitchen layout

